

## NERLITE® CDI®-200/75-LED

**Part Number:** NER-010252000

**Product Description:** The CDI-200/75-LED (Cloudy Day Illuminator®), is ideal for illuminating uneven specular surfaces. The CDI® provides outstanding uniformity, up to ±10% maximum deviation within the field of view.



**Illumination:**

**Lighting Technique:** Continuous Diffuse  
**Source Type:** Red LED  
**Spectrum:** 636 nm  
**Expected Life:** 60,000 hours  
**Light Delivery:** Diffused  
**Light Aperture:** 132 mm (5.2 in.)  
**Suggested Field Of View:** 75 mm (3 in.)  
**Suggested Stand-Off:** 25.4 mm (1in.)

**Electrical:**

**Input Voltage:** 12VDC  
**Input Current:** 2.2A  
**Cable Length:** 1.8 M (6 ft.)<sup>1</sup>  
**Connector:** 9 pin D-sub male<sup>1</sup>  
**CE Conformity:** Yes

**Accessories:**

Part Number	Description
NER-030003702	Ext. Cable, Cont., 1.8 M (6 ft.)
NER-030003703	Ext. Cable, Cont., 3.0 M (10 ft.)
NER-010503500	VPS-II, 2 Ch. Variable PS, US Cord
NER-010503501	VPS-II, 2 Ch. Variable PS, EU Cord

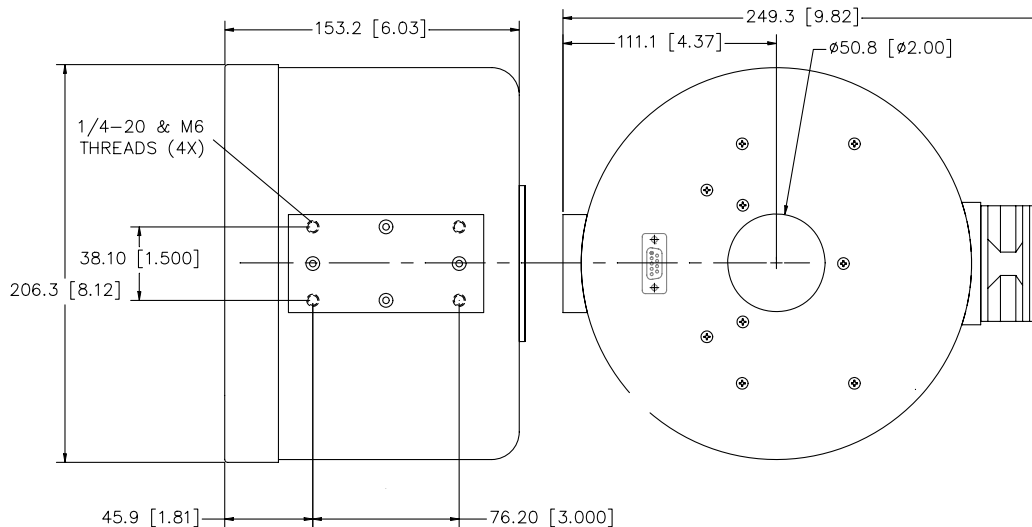
**Mechanical:**

**Diameter x H:** 206.3 mm x 153.2 mm  
 (8.12 in x 6.03 in.)

**Mounting:** (4x) 1/4-20  
**Housing Material:** Black Anodized Aluminum  
**Weight:** 1597 grams (3.5 lbs.)

**Environmental:**

**Max. Operating Humidity:** 95% non-condensing  
**Operating Temp.:** 40°C (104°F)  
**Storage Temp.:** 50°C (122°F)



**Cable Pinout:**<sup>1</sup>

Model	Pin#	1	2	3	4	5	6	7	8	9
12V Continuous Models		+12VDC (Fan)	GND (Fan)	GND (Ring/DOAL)	+12VDC (Ring)	+12VDC (DOAL)	n/a	n/a	n/a	n/a

<sup>1</sup> Cable/connector specs reference included extension cable.