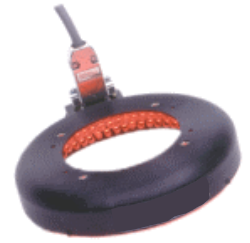


MICROSCAN®

NERLITE® DF-150-3

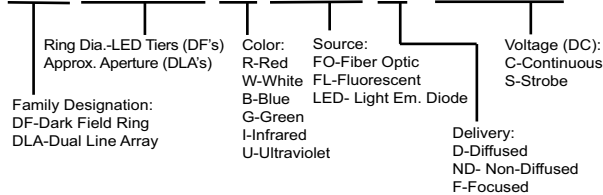
The **DF-150-3** provides low-angle illumination to the region of interest. The unit uses three tiers of LEDs mounted 75° to the part surface. The lighting enhances contrast to surface perimeters that are of varying distances to the camera (e.g., embossed or engraved). The light is particularly suited for enhancing contrast on geometric contours.



Model #	Description
NER-010600200	DF-150-3, R LED-ND, 12V-C
NER-010600208	DF-150-3, R LED-ND, 24V-C, 4.5M (15') Cbl w/Flying Leads
NER-010600212	DF-150-3, R LED-ND, 24V-C, 2M (6.6') Cbl w/DB9
NER-010602100	DF-150-3, R LED-ND, 24V-S
NER-010600206	DF-150-3, W LED-ND, 12V-C
NER-010600207	DF-150-3, W LED-ND, 24V-S
010-600213	DF-150-3, G LED-ND, 12V-C

Description Key Example

Dx-xxx-x, R LED-D, 12V-C



Accessories:

Part #	Description	Models Used On
NER-090000100	Mounting Bracket	All
NER-015011900	Diffuser Assembly, DF-150-3	24V-S ¹
NER-010901900	SCM-2, 2 Channel Strobe Cntrl.	24V-S
NER-010501402	CPS-24, 24VDC, US cord	24V-S ²
NER-010501401	CPS-24, 24VDC, EU cord	24V-S ²
NER-010502601	CPS-24T, 24VDC US w/9-pin D-sub	24V-C & 24V-S ^{2,3}
NER-010502602	CPS-24T, 24VDC EU w/9-pin D-sub	24V-C & 24V-S ^{2,3}
NER-010500301	CPS-12 3.5A, 12VDC, US Cord	12V-C
NER-010500303	CPS-12 3.5A, 12VDC, EU Cord	12V-C
NER-010502700	ICM-1, M/D Intensity Cntrl, 12V-C	12V-C
NER-010502701	ICM-1, M/D Intensity Cntrl, 24V-C	24V-C ³
NER-010502702	SCM-1, 1 Channel M/D Strobe Cntrl.	24V-S
NER-010503500	VPS-II, 2 Ch. Variable PS, US Cord	12V-C
NER-010503501	VPS-II, 2 Ch. Variable PS, EU Cord	12V-C
NER-030003702	Ext. Cable, Cont., 1.8 M (6 ft.)	12V-C & 24V-C ³
NER-030003703	Ext. Cable, Cont., 3.0 M (10 ft.)	12V-C & 24V-C ³
NER-030003601	Y cable, 2 Lights, 9 pin D-sub Cont.	12V-C & 24V-C ³
NER-030007006	Ext. Cable, Strobe, 1.8 M (6 ft.)	24V-S
NER-030007010	Ext. Cable, Strobe, 3.0 M (10 ft.)	24V-S
NER-030006900	Y cable, 2 Lights, 9 pin D-sub Strb.	24V-S ⁴

¹ Not recommended for continuous models due to reduction in cooling air flow

² NER-01050140x used only with NER-010901900;

NER-01050260x used with either NER-010502702 or 24V-C lights with DB-9 connectors

³ 24V-C accessories are not available for "Flying Leads" configurations

⁴ Not for use with model NER-010600207 due to high current requirements

Illumination & Electrical:

Lighting Technique: Dark-Field, 3 tier, 75°, non-diffuse
Light Aperture: 73.7 mm (2.9 in.)
Field Of View x Stand-Off¹: 38 mm (1.5 in.) x 12 mm (0.47 in.)

Light Characteristics:

Source	Color (nm)	Exp. Life	Voltage/Current (max.)		
			12V-C	24V-C	24V-S
LED	Red (636)	60k hrs.	1.2 A	300 mA	9.0 A pk.
LED	Green (533)	10k hrs.	900 mA	n/a	n/a
LED	White – 6500 Kelvin	10k hrs.	900 mA	n/a	12.0 A pk.

¹ Suggested

CE Conformity:

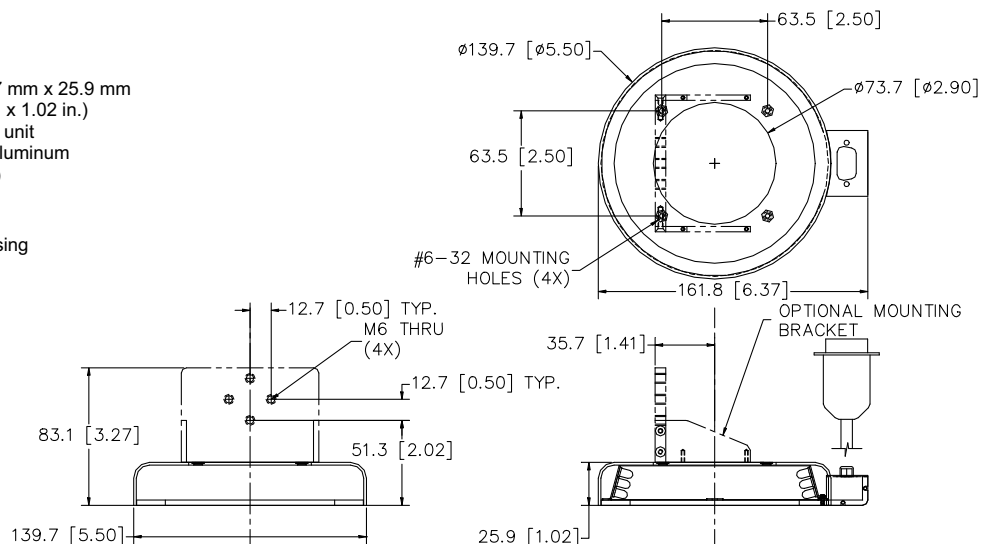
Yes

Mechanical:

L x W x H (mm/in.): 161.8 mm x 139.7 mm x 25.9 mm (6.37 in. x 5.50 in. x 1.02 in.)
Mounting: (4) 6-32 on top of unit
Housing Material: Black Anodized Aluminum
Weight: 193 grams (7 oz.)

Environmental:

Max. Operating Humidity: 95% non-condensing
Operating Temp. 40°C (104°F)
Storage Temp. 50°C (122°F)



Cables/Connectors:

Connector	Length	Pin#	1	2	3	4	5	6	7	8	9
12V-C Models	9 pin D-sub Male	1.8 M (6 ft.) ¹	n/a	n/a	GND	+12VDC	n/a	n/a	n/a	n/a	n/a
24V-S Models	9 pin D-sub Male	1.8 M (6 ft.) ²	V-	n/a	n/a	+24VDC	+24VDC	V-	n/a	n/a	n/a
24V-C Models³	9 pin D-sub Male ³	2.0 M (6.6 ft.) ³	n/a	n/a	n/a	n/a	n/a	n/a	+24VDC	n/a	GND

¹ Detachable 1.8 M (6 ft.) power cable included (part # 030-002700)

² Detachable 1.8 M (6 ft.) power cable included (part # 030-013300)

³ Note: 24V-C Models w/"Flying Leads" have a detachable 4.5 M (15 ft.) cable with two (2) tinned leads and no connector; leads are labeled GND and V+ (+24VDC)