

MICROSCAN®

NERLITE® LA-50-1, LA-100-1 & LA-150-1 Linear Illuminators

LA Series Linear Illuminators provide a high intensity "light line" generated from a single row of LEDs. Available in 50, 100 and 150 mm lengths, LA Series modules can be combined to create a linear projection of light of virtually any length.



Model#	Description
NER-0106541	LA-50-1, R LED 0 = ND, 1 = D, 2 = LW.2" @ 5", 4 = LW.25" @ 5" 0 = 12V-C, 1 = 24V-C, 2 = 24V-S
NER-0106541	LA-50-1, W LED 0 = ND, 1 = D, 2 = LW.2" @ 5", 4 = LW.25" @ 5" 3 = 12V-C, 4 = 24V-C, 5 = 24V-S
NER-0106543	LA-100-1, R LED 0 = ND, 1 = D, 2 = LW.2" @ 5", 4 = LW.25" @ 5" 0 = 12V-C, 1 = 24V-C, 2 = 24V-S
NER-0106543	LA-100-1, W LED 0 = ND, 1 = D, 2 = LW.2" @ 5", 4 = LW.25" @ 5" 3 = 12V-C, 4 = 24V-C, 5 = 24V-S
NER-0106545	LA-150-1, R LED 0 = ND, 1 = D, 2 = LW.2" @ 5", 4 = LW.25" @ 5" 0 = 12V-C, 1 = 24V-C, 2 = 24V-S
NER-0106545	LA-150-1, W LED 0 = ND, 1 = D, 2 = LW.2" @ 5", 4 = LW.25" @ 5" 3 = 12V-C, 4 = 24V-C, 5 = 24V-S

Mechanical:

L x W x H (mm/in.):

LA-50-1	LA-100-1	LA-150-1
56.1 x 15.2 x 19.1 / 2.21 x 0.60 x 0.75	106.9 x 15.2 x 19.1 / 4.21 x 0.60 x 0.75	157.7 x 15.2 x 19.1 / 6.21 x 0.60 x 0.75

Weight:

78 grams (2.6 oz.)	105 grams (3.7 oz.)	136 grams (4.8 oz.)
--------------------	---------------------	---------------------

Mounting:

(2) M3 x .19" deep	
--------------------	--

Housing Material:

Black Anodized Aluminum	
-------------------------	--

Environmental:

Max. Operating Humidity

95% non-condensing

Operating Temp.

40 °C (104 °F)

Storage Temp.

50 °C (122 °F)

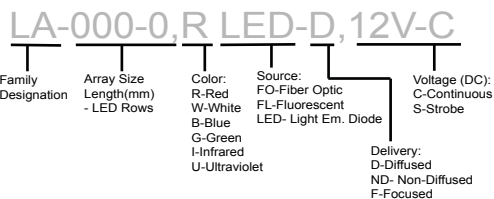
Accessories:

Part #	Description	Models Used On
NER-010500301	CPS-12 3.5A, 12VDC, US Cord	12V-C
NER-010500303	CPS-12 3.5A, 12VDC, EU Cord	12V-C
NER-010501402	CPS-24, 24VDC, US Cord	24V-S ¹
NER-010501401	CPS-24, 24VDC, EU Cord	24V-S ¹
NER-010502601	CPS-24T, 24VDC US w/9-pin D-sub	24V-C & 24V-S ¹
NER-010502602	CPS-24T, 24VDC EU w/9-pin D-sub	24V-C & 24V-S ¹
NER-010502700	ICM-1, M/D Intensity Cntrl, 12V-C	12V-C
NER-010502701	ICM-1, M/D Intensity Cntrl, 24V-C	24V-C
NER-010502702	SCM-1, 1 Channel M/D Strobe Cntrl.	24V-S
NER-010901900	SCM-2, 2 Channel Strobe Cntrl.	24V-S
NER-010503500	VPS-II, 2 Ch. Variable PS, US Cord	12V-C
NER-010503501	VPS-II, 2 Ch. Variable PS, EU Cord	12V-C
NER-030003702	Ext. Cable, Cont., 1.8 M (6 ft.)	12V-C & 24V-C
NER-030003703	Ext. Cable, Cont., 3.0 M (10 ft.)	12V-C & 24V-C
NER-030003601	Y cable, 2 Lights, 9 pin D-sub Cont.	12V-C & 24V-C
NER-030007006	Ext. Cable, Strobe, 1.8 M (6 ft.)	24V-S
NER-030007010	Ext. Cable, Strobe, 3.0 M (10 ft.)	24V-S
NER-030006900	Y cable, 2 Lights, 9 pin D-sub Strb.	24V-S

¹NER-01050140x used only with NER-010901900;

NER-01050260x used with either NER-010502702 or 24V-C lights with DB-9 connectors

Description Key Example



Illumination & Electrical:

Lighting Technique:

Linear; Dark-field or Bright-field

Illuminated Area (mm/in.):

LA-50-1	LA-100-1	LA-150-1
51.0 x 8.9 / 2.01 x 0.35	101.8 x 8.9 / 4.01 x 0.35	152.6 x 8.9 / 6.01 x 0.35

Stand-Off¹:

12.7 mm (0.5 in.)

Light Characteristics²:

Voltage/Current (mA) ; max. cont., peak strobe)

Source	Color (nm)	Exp. Life	Model: LA-								
			12V-C			24V-C			24V-S		
LED	Red (660)	50k hrs.	42	84	126	23	46	69	400	800	1200
LED	White - 6500 Kelvin	10k hrs.	80	160	240	40	80	120	800	1600	2400

¹ Suggested; diffused & non-diffused models; see model # descriptions above for focused unit line widths (LW) @ 0.5" standoff.

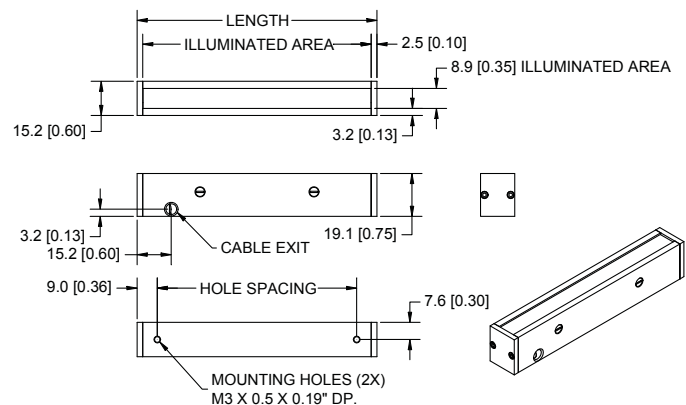
² Custom models available in additional color/voltage combinations.

CE Conformity:

Yes

Cables/Connectors:

Connector	Length	Pin#	1	2	3	4	5	6	7	8	9
12V-C Models	9 pin D-sub Male	2.0 M (6.6 ft.)	n/a	n/a	GND	+12VDC	n/a	n/a	n/a	n/a	n/a
24V-S Models	9 pin D-sub Male	2.0 M (6.6 ft.)	V-	n/a	n/a	+24VDC	n/a	n/a	n/a	n/a	n/a
24V-C Models	9 pin D-sub Male	2.0 M (6.6 ft.)	n/a	n/a	n/a	n/a	n/a	n/a	+24VDC	n/a	GND



TABULATION	LENGTH	ILLUMINATED AREA	HOLES SPACING
NER-0106541XX	2.21	2.01	1.50
NER-0106543XX	4.21	4.01	3.50
NER-0106545XX	6.21	6.01	5.50

NERLITE LA-Series 010209