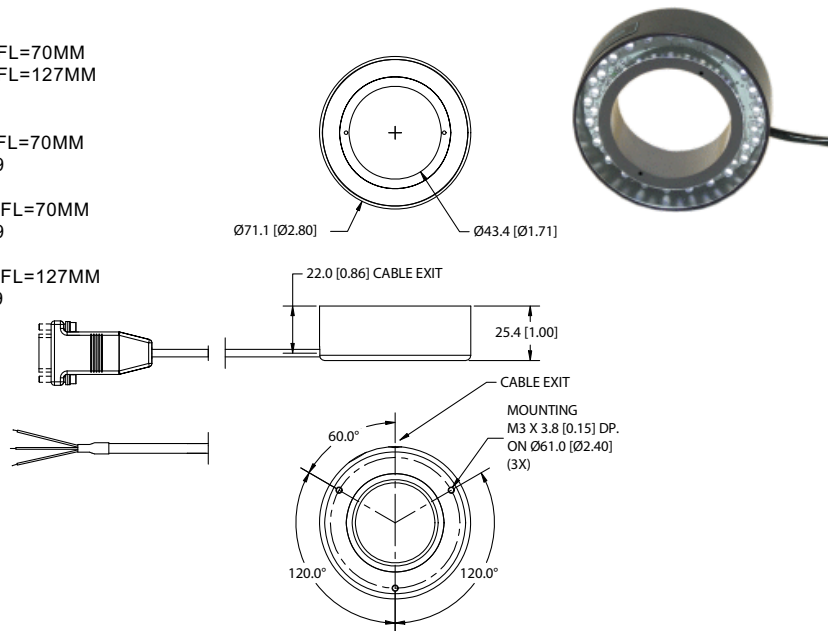


MICROSCAN®

NERLITE® R-70-2 "V2" Series Ring

R-70-2 "V2" Series Ring Illuminators feature 48 LEDs in a dual ring configuration. Building on the design of our original R-70 Series, these new models offer enhancements to mounting and accessory installation that make them class leaders in application versatility. Lens adapter options permit direct mounting to lens filter threads or lens barrel. A wide selection of model choices... diffused, non-diffused, or focused – red or white spectrums – 12 or 24 volt power – continuous or strobed ... assures broad application coverage. For applications where less light intensity is acceptable, see the R-70-1 (single ring of 24 LEDs). R-70-2 "V2" Ring Illuminators are ideal for applications that require cost-effective illumination of diffused surfaces.

MODEL#	DESCRIPTION
NER-010604800	R-70-2 V2, R LED-ND, 12V-C,2M (6.6') Cbl. w/DB9
NER-010604801	R-70-2 V2, R LED-D, 12V-C,2M (6.6') Cbl. w/DB9
NER-010604802	R-70-2 V2, R LED-F, 12V-C,2M (6.6') Cbl. w/DB9 FL=70MM
NER-010604810	R-70-2 V2, R LED-ND, 24V-C,2M (6.6') Cbl. w/DB9
NER-010604811	R-70-2 V2, R LED-D, 24V-C,2M (6.6') Cbl. w/DB9
NER-010604812	R-70-2 V2, R LED-F, 24V-C,2M (6.6') Cbl. w/DB9 FL=70MM
NER-010604814	R-70-2 V2, R LED-F, 24V-C,2M (6.6') Cbl. w/DB9 FL=127MM
NER-010604820	R-70-2 V2, R LED-ND, 24V-S,2M (6.6') Cbl. w/DB9
NER-010604821	R-70-2 V2, R LED-D, 24V-S,2M (6.6') Cbl. w/DB9
NER-010604822	R-70-2 V2, R LED-F, 24V-S,2M (6.6') Cbl. w/DB9 FL=70MM
NER-010604830	R-70-2 V2, W LED-ND, 12V-C,2M (6.6') Cbl. w/DB9
NER-010604831	R-70-2 V2, W LED-D, 12V-C,2M (6.6') Cbl. w/DB9
NER-010604832	R-70-2 V2, W LED-F, 12V-C,2M (6.6') Cbl. w/DB9 FL=70MM
NER-010604840	R-70-2 V2, W LED-ND, 24V-C,2M (6.6') Cbl. w/DB9
NER-010604841	R-70-2 V2, W LED-D, 24V-C,2M (6.6') Cbl. w/DB9
NER-010604844	R-70-2 V2, W LED-F, 24V-C,2M (6.6') Cbl. w/DB9 FL=127MM
NER-010604850	R-70-2 V2, W LED-ND, 24V-S,2M (6.6') Cbl. w/DB9
NER-010604851	R-70-2 V2, W LED-D, 24V-S,2M (6.6') Cbl. w/DB9



Description Key Example

R-xx-x, R LED-D, 12V-C

Outer Diam. (mm) - # of Rings	Color: R-Red W-White B-Blue G-Green I-Infrared U-Ultraviolet	Source: FO-Fiber Optic FL-Fluorescent LED- Light Em. Diode	Voltage (DC): C-Continuous S-Strobe
Family Designation			Delivery (Ring): D-Diffused ND- Non-Diffused F-Focused

Illumination & Electrical:

Lighting Technique: Ring
Light Aperture: 43.4 mm (1.71 in.)
Light Characteristics:

Source	Color (nm)	Exp. Life	Voltage/Current (max.)		
			12V-C	24V-C	24V-S
LED	Red + (660)	50k hrs.	168 mA	92 mA	1.6 A pk.
LED	White - 6500 Kelvin	10k hrs.	320 mA	160 mA	3.2 A pk.

CE Conformity: Yes

Mechanical:

OD x ID x H (mm/in.): 71.1 mm x 43.4 mm x 25.4 mm
(2.80 in. x 1.71 in. x 1.0 in.)
Mounting: (3) M3 X 3.8 mm (0.15 in.) Deep
Housing Material: Black Anodized Aluminum
Weight: 136 grams (0.3 lbs.)

Environmental:

Max. Operating Humidity: 95% non-condensing
Operating Temp.: 40°C (104°F)
Storage Temp.: 50°C (122°F)

Cables/Connectors:

Connector	Length	Pin#	1	2	3	4	5	6	7	8	9
12V-C Models	9 pin D-sub Male	2.0 M (6.6 ft.)	n/a	n/a	GND	+12VDC	n/a	n/a	n/a	n/a	n/a
24V-S Models	9 pin D-sub Male	2.0 M (6.6 ft.)	V-	n/a	n/a	+24VDC	n/a	n/a	n/a	n/a	n/a
24V-C Models ¹	9 pin D-sub Male ¹	2.0 M (6.6 ft.)	n/a	n/a	n/a	n/a	n/a	n/a	+24VDC	n/a	GND

¹ Note: 24V-C Models w/"Flying Leads" have a 4.5 M (15 ft.) cable with two (2) tinned leads and no connector; leads are labeled GND and V+ (+24VDC)

ACCESSORIES:

Part #	Description	Models Used On
NER-010901900	SCM-2, 2 Channel Strobe Cntrl.	24V-S
NER-010501402	CPS-24, 24VDC, US Cord	24V-S ¹
NER-010501401	CPS-24, 24VDC, EU Cord	24V-S ¹
NER-010502601	CPS-24T, 24VDC US w/9-pin D-sub	24V-C & 24V-S ^{1,2}
NER-010502602	CPS-24T, 24VDC EU w/9-pin D-sub	24V-C & 24V-S ^{1,2}
NER-010500301	CPS-12 3.5A, 12VDC, US Cord	12V-C
NER-010500303	CPS-12 3.5A, 12VDC, EU Cord	12V-C
NER-010502700	ICM-1, M/D Intensity Cntrl, 12V-C	12V-C
NER-010502701	ICM-1, M/D Intensity Cntrl, 24V-C	24V-C ²
NER-010502702	SCM-1, 1 Channel M/D Strobe Cntrl.	24V-S
NER-010503500	VPS-II, 2 Ch. Variable PS, US Cord	12V-C
NER-010503501	VPS-II, 2 Ch. Variable PS, EU Cord	12V-C
NER-030003702	Ext. Cable, Cont., 1.8 M (6 ft.)	12V-C & 24V-C
NER-030003703	Ext. Cable, Cont., 3.0 M (10 ft.)	12V-C & 24V-C
NER-030007006	Ext. Cable, Strobe, 1.8 M (6 ft.)	24V-S
NER-030007010	Ext. Cable, Strobe, 3.0 M (10 ft.)	24V-S
NER-030006900	Y cable, 2 Lights, 9 pin D-sub Strb.	24V-S
NER-030003601	Y cable, 2 Lights, 9 pin D-sub Cont.	12V-C & 24V-C
NER-010026310	Lens Adptr, Clamp-On, Nylon Screws, 43.4mm ID ³	All
NER-080103900	Lens Adptr, Fltr Thrd Mnt 25.5 x 0.5mm, 22.9mm ID ³	All
NER-080092600	Lens Adptr, Fltr Thrd Mnt 27.0 x 0.5mm, 24.4mm ID ³	All
NER-080092501	Lens Adptr, Fltr Thrd Mnt 30.5 x 0.5mm, 27.5mm ID ³	All
NER-080092500	Lens Adptr, Fltr Thrd Mnt 40.5 x 0.5mm, 37.3mm ID ³	All

¹ NER-01050140x used only with NER-010901900;

NER-01050260x used with either NER-010502702 or 24V-C lights with DB-9 connectors

³ See Lens Adapter Spec Sheet

² 24V-C accessories are not available for "Flying Leads" configurations